

S-series

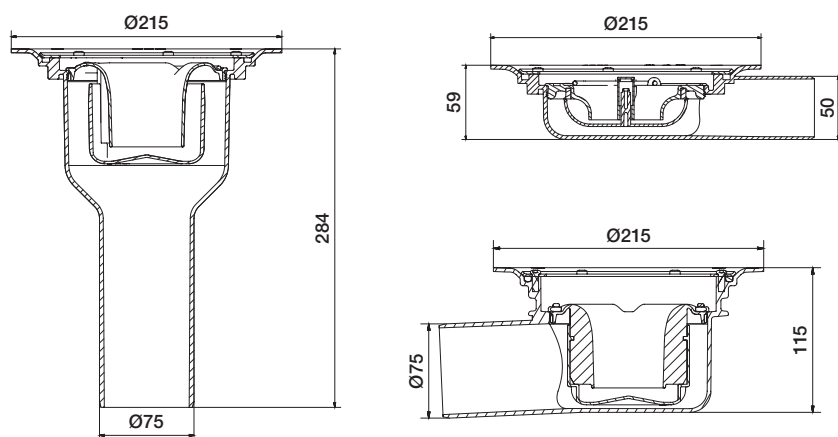
**New stainless steel
screwed clamping ring for a secure,
tight bond to waterproofing membranes
and vinyl flooring.**



Name	Article no.	Height	Flange diameter	Flow*
S-series MiniMax Ø50	711 04 06	59 mm	Ø215 mm	Min 0,5l/s (Not recommended for connection of baths)
S-series Oden Ø75	711 04 05	115 mm	Min 0,8l/s	
S-series Brage Ø75	710 34 39	284 mm	Ø215 mm	Min 0,8l/s

According to EN 1253-1

Dimensions



Advantages

- Stainless steel screwed clamping ring with six screws specially designed for waterproofing membranes
- Stainless steel grating for vinyl flooring
- The Purus NOOD water trap is included as an optional accessory
- Many screw holes for simplest possible installation – if needed, there are new screw holes round the entire perimeter of the gully
- Low seat (7 mm)
- Low mounting height (59 mm)
- Extension rings are available in heights 13, 25 and 37mm
- MiniMax requires connection with male adaptor

Product name:	Purus S-series
Material:	White, PP
Grating diameter:	Ø 179 mm (supplied without grating)
Clamping ring:	Stainless steel 2 mm with 6 screws (torx)
Accessories:	NOOD water trap Purus supporting legs Installation support Nordsjön* S-series Drop, grating for vinyl flooring 712 95 07 Extension rings: 13 mm - 712 95 03, 25 mm - 712 95 04 and 37 mm - 712 95 05

*Not for S-Series Mini Max Ø 50 mm

S-series Drop
Grating for vinyl flooring
712 95 07



Our on-going product development may lead to changes in execution, design and construction, for which we accept no liability.



Purus
is ISO 9001
certified

Purus AB
info@purusinternational.com
www.purusinternational.com